

# WTE Series SAE J1939 CAN bus inclinometer

## Product introduction

Woosens WTE series SAE J1939 CAN bus inclinometer is a low power consumption and high-performance inclinometer module. and communicate using SAE J1939 CAN bus protocol. They are engineered with MEMs devices for reliability and built to withstand rugged applications.



Woosens WTE series SAE J1939 CAN bus inclinometer incorporates gyroscope compensations to enhance overall resolution, repeatability, and response in medium and heavy dynamic applications. The product has undergone strict production calibration, factory inspection, to ensure excellent product consistency and reliability.

## I Features

- High accuracy, high stability
- SAE J1939
- Gyroscope Dynamic Compensation
- Power supply: 9~35V
- IP67 protection
- Pitch and Roll output per J1939 SSI2

## I Application

- Construction machinery
- Material handling equipment
- Agricultural equipment
- Forklifts
- Cranes
- Fire truck
- Pump truck
- Scissor lifts
- Combines

## Product specification

### Electrical Specification

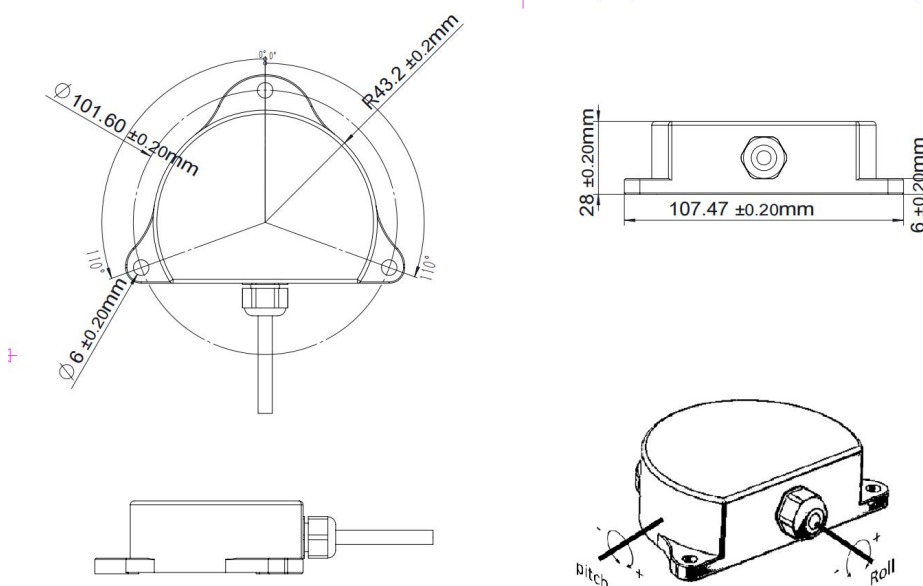
Parameter	Condition	Minimum	Typical	Maximum	Unit
Power supply	Wide voltage	9	12	35	V
Operating current		35		40	mA
Operating temperature		-40		+85	°C
Store temperature		-40		+100	°C

## Performance Specification

Parameter	Condition	Specification
Measuring axis		X-Y(360°Measuring range is uniaxial only)
Measuring range		$\pm 15^\circ/\pm 30^\circ/\pm 90^\circ/0-360^\circ$
Output resolution		0.01°
Repeatability		0.05°
Frequency response		5Hz
Relative accuracy	$\pm 15^\circ$ Range	0.05°
	$\pm 30^\circ$ Range	0.10°
	$\pm 90^\circ$ Range	0.15°
	0-360°Range	0.20°
Temperature drift		0.008°/°C
CAN bus speed		250kbps
Weight		240g

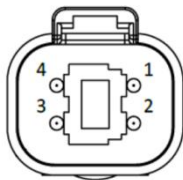
Note: The relative accuracy is measured at room temperature 25°C.

## Mechanical and Installation direction



### Interface Definition

PIN	1	2	3	4
Function	VIN	GND	CANL	CANH



Connector (Deutsch DT 4-pin)

### Communication Protocol

PGN	61459 (0x00F013)
Data Length	8
Extend Data page	0
Data page	0
PF	240
PS	19
PGN Support information	Refer PGN 61459 rule
Priority	3
Source address	0xE2

### Ordering information

measuring range	Measuring axis	Part number
±15°	Single-Axis/Dual-Axis	WTE116-L15PK/WTE126-L15PK
±30°	Single-Axis/Dual-Axis	WTE116-L30PK/WTE126-L30PK
±90°	Single-Axis/Dual-Axis	WTE116-L90PK/WTE126-L90PK
0-360°	Single-Axis	WTE116-L36PK

### Communication Protocol

For the WTE series SAE J1939 inclinometer module communication protocol, please refer to <The SAE J1939 Inclinometer Module Communication Protocol Manual V2.0>

Note: All Specifications are subjected to change without notice.