

# WSE series inclinometer switch



## Product introduction

Woosens WSE series inclinometer switch is a cost-effective inclinometer module.

it made by high- accuracy acclerometer MEMS device and standard MCU, built-in advanced anti-vibrtn filtering algorithms. The product has undergone trict production calibration, factory inspection, to ensure excellent product consistency and reliability.

WOOSENS WSE series inclinometer switch has relay contact output interface. The delay times of alarm and alarm-remove can be customized according to the actual situation. the modules is a high accuracy, high stability product, It is widely used in engineering machinery industry.

## I Features

- Dual colour indicator light
- One key zero-setting function
- Dual axis measurement with relay contact output
- Delay times of alarm and alarm-remove can be customized
- IP65 protection with engineering plastics housing

## I Application

Aerial work platform    Crane and lifts    Automatic positioning platform

## Product specification

### Electrical Specification

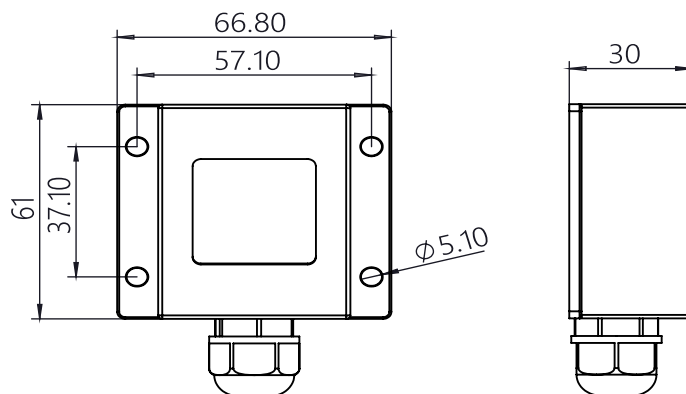
Parameter	Condition	Minimum	Typical	Maximum	Unit
Power supply	Wide voltage	9	12	35	V
Operating current		30		50	mA
Operating temperature		-40		+80	°C
Store temperature		-40		+100	°C

**Performance Specification**

Parameter	Condition	Specification
Measuring axis		X-Y
Measuring range		$\pm 30^\circ$
Output resolution		0.01°
Repeatability		0.1°
Frequency response		5Hz
Relative accuracy	$\pm 30^\circ$ Measuring range	0.3°
Temperature drift	-40-80°C	0.008°/°C
Weight		165g

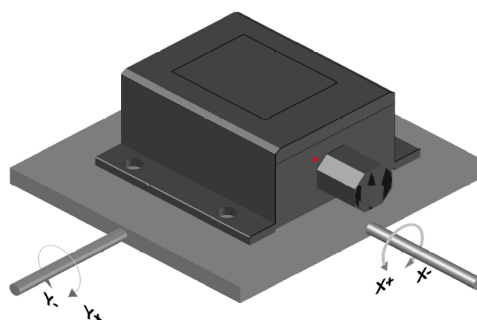
Note: The relative accuracy is measured at room temperature 25°C.

**Mechanical Characteristic**



Unit: mm

**Installation direction**



## Interface Definition

Red	Blue	Brown	Black
VIN	RXD	TXD	GND
Yellow	Green		
Contact point 1	Contact point 2		

Note: RXD and TXD are the interfaces used for factory calibration, and users do not need to use them.

## Ordering information

WSE	-	① XXX	-	② XXX	-	③ XX	-	④ 1X
-----	---	----------	---	----------	---	---------	---	---------

- ① X-axis alarm angle, if 2.5 degrees alarm is required, it is 025
- ② Y-axis alarm Angle, if 3.0 degrees alarm is required, it is 030
- ③ Alarm delay time, if 1 second alarm delay is required, it is 10
- ④ When alarming, the relay is closed or open, open is 1L, closed is 1

## Indicator light description

Condition	Red light	Green light	Comments
Normal	Off	On	Indicates that the angle is within the alarm threshold
Normal turn to alarm	Off	Flashing	Indicates that the angle exceeds the threshold from within the alarm threshold
Alarm	On	Off	Indicates that the angle is outside the alarm threshold
Alarm turn to Normal	Flashing	Off	Indicates that the angle recovers from outside the alarm threshold to within the threshold

## Zero Setting:

1. Find the zeroing hole to the left of the outlet direction.
2. Use the zeroing tool to insert the zeroing hole and hold down the button. You can see the red and green lights flashing alternately (at this time, the zeroing operation can be performed).
3. Keep the red and green lights flashing alternately, while observing the status changes of the indicator lights: from the red and green lights flash alternately and turn into steady red and green light on at the same time, and remove the zero-setting tool until the green light alone is always on;
4. Turn off the power.
5. Turn on the power again, and confirm that the green light is on, indicating that the zero setting operation is successful. If the red indicator is on, it means that the zero-setting operation has failed, and you need to go back to the first step to perform the zero-setting operation again.

### Recommend: Need Zero setting in following situation

1. The sensor has just been installed
2. Compared with the last zero setting, the temperature increased or decreased by more than 15°C

Note: All Specifications are subjected to change without notice.